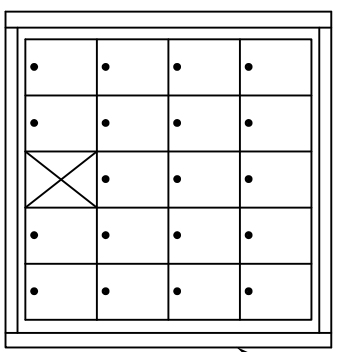
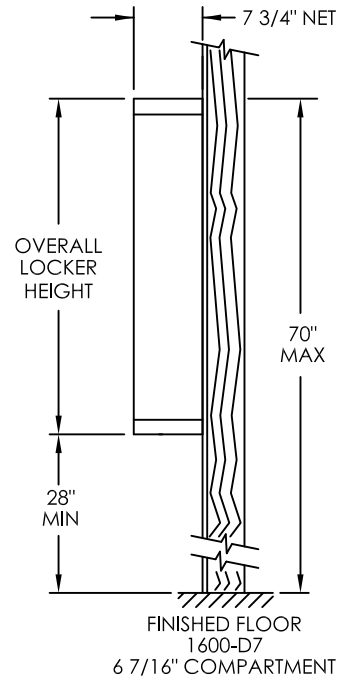
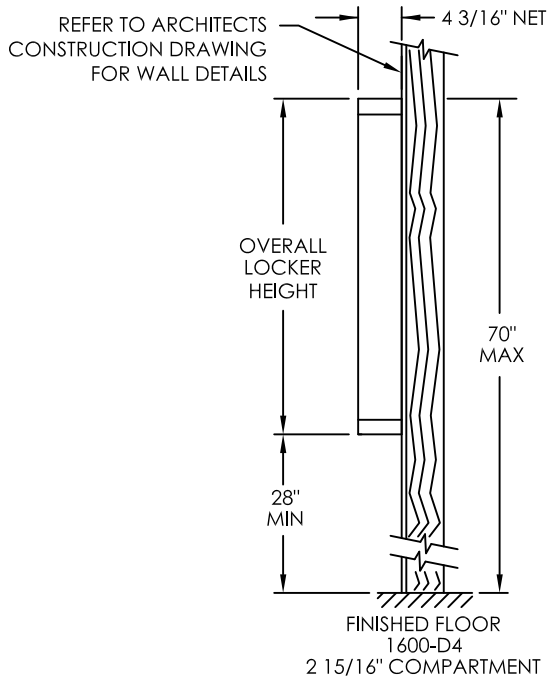


MINI STORAGE LOCKER SURFACE MOUNT INSTALLATION INSTRUCTIONS



SURFACE MOUNT LOCKER

MOUNTING HARDWARE:

- (4) #8 X 2.00" PAN HEAD (T20 DRIVE) WOOD SCREWS (64225)
- (4) 1.00" OD FENDER WASHERS (56250)

INSTALLATION NOTES:

1. BEFORE MOUNTING THE BOX WITH ATTACHED COLLAR ASSEMBLY TO THE WALL, YOU MUST FIRST DRILL (4) HOLES IN THE BACK OF THE LOCKER. ENSURE THE DISTANCE BETWEEN THE HOLES MATCHES THE DISTANCE BETWEEN THE STUDS THAT YOU ARE USING TO MOUNT THE ASSEMBLY TO THE WALL.
2. POSITION UNIT SUCH THAT IT CAN BE FASTENED TO AS MANY STUDS AS POSSIBLE.
3. PLACE THE LOCKER UNIT AGAINST THE WALL AND ENSURE IT IS LEVEL BEFORE MOUNTING.
4. USE THE PROVIDED #8 WOOD SCREWS (64225) AND THE FENDER WASHERS (56250) TO SECURE THE ASSEMBLY TO THE WALL.*

* FOR ALL UNCONVENTIONAL LUMBER INSTALLATION METHODS, HARDWARE MUST BE PROVIDED BY THE CUSTOMER.

PRODUCT SERIES:		INSTALLATION INSTRUCTIONS MINI STORAGE		
		LOCKER SURFACE MOUNT		
AF FLORENCE manufacturing company	MODEL	D4 & D7	REV	A
	SCALE	NONE	LAST REV DATE	2/21/2011
5935 Corporate Drive • Manhattan, KS 66503 www.florencemailboxes.com • (800) 275-1747	DRAWING NUMBER		DRAWN BY	
A GIBRALTAR INDUSTRIES COMPANY	MINI-DSMINS		NBC	